



MVSAA
 REVISION: G
 EFFECTIVE: 9/2013

MVS[®]-AA

VENTILATION FOR ELEVATORS



VENTILATION / FANS

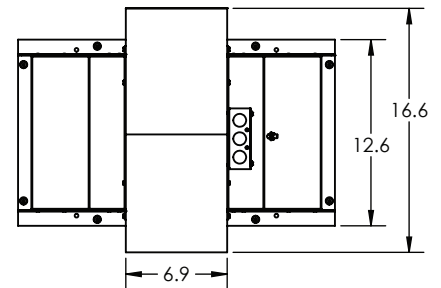


MVS[®]-AA

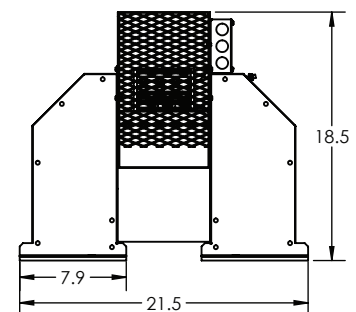
MVS-AA by Man-D-Tec FOR NEW AND EXISTING ELEVATOR CABS

This complete fan assembly is UL listed, and provides up to 700 CFM. The 3-speed sealed ball bearing motor and powder coat finish make this fan durable and efficient. The "squirrel cage" blower wheel ensures maximum air flow and quiet operation. An exhaust screen guard is included at no extra charge.

Product Specifications on the back of page.



TOP VIEW



SIDE VIEW



1.800.944.6263
 WWW.MANDTEC.COM

Enclosure (MVS-AA)

MATERIAL	16 GA Steel with black powder coat finish	
DIMENSIONS	21.5"L x 16.6"W x 18.5" H 6" x 10.5" (2 required for dual inlets)	Overall Dimensions Cutout Hole
<i>Uses fan grille part number FG-AA-W (see Accessories section)</i>		
EXHAUST SCREEN GUARD	Included (No charge)	
CERTIFICATION(S)	<p>UL LISTED (ENTIRE UNIT is UL listed, NOT just components!!!)</p> <p>UL TESTED to the following standards: ASME A17.1, UL 508, CAN/CSA B44.1</p>	



VENTILATION / FANS

Motor

MOTOR SPEED	Three speed	
RATINGS	Input: 115 VAC, 60 Hz (1.7A)	
MOTOR CONSTRUCTION	Sealed Ball Bearing	

Blade

MATERIAL	Squirrel cage blower wheel	
CFM	HIGH SPEED	Up To 700 (Free Air)
	MEDIUM SPEED	Up To 550 (Free Air)
	LOW SPEED	Up to 450 (Free Air)

Wiring

CONNECTION	Handy box supplied for wiring
-------------------	-------------------------------

