



MVSOE  
 REVISION: 1  
 EFFECTIVE: 2/2017

# MVS<sup>®</sup>-OE

VENTILATION FOR ELEVATORS



VENTILATION / FANS

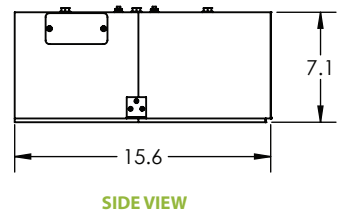
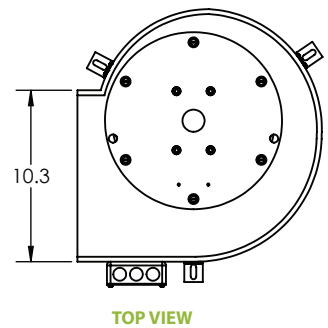


## MVS<sup>®</sup>-OE

### MVS-OE by Man-D-Tec FOR NEW AND EXISTING ELEVATOR CABS

This complete fan assembly is UL listed, and provides up to 450 CFM. The 3-speed sealed ball bearing motor and powder coat finish make this fan durable and efficient. The "squirrel cage" blower wheel ensures maximum air flow and quiet operation. An exhaust screen guard is included at no extra charge.

*Product Specifications on the back of page.*



1.800.944.6263  
 WWW.MANDTEC.COM

## Enclosure (MVS-OE)

<b>MATERIAL</b>	16 GA Steel with black powder coat finish	
<b>DIMENSIONS</b>	15.60" Diameter and 7.10" Height 10.25" Dia	Overall Dimensions Cutout Hole

*Uses fan grille part number FG-14-W (see Accessories section)*

**EXHAUST SCREEN GUARD** Included (No charge)

### CERTIFICATION(S)

**UL LISTED (ENTIRE UNIT is UL listed, NOT just components!!!)**

**UL TESTED to the following standards:  
ASME A17.1, UL 508, CAN/CSA B44.1**



ELEVATOR CONTROL,  
ELEVATOR ACCESSORY  
E329545

## Motor

**MOTOR SPEED** Three speed, UL-Listed

**RATINGS** Input: 115 VAC, 60 Hz (2.1A)

**MOTOR CONSTRUCTION** Sealed Ball Bearing

## Blade

**MATERIAL** Squirrel cage blower wheel

<b>CFM</b>	<b>HIGH SPEED</b>	Up To 450 (Free Air)
	<b>MEDIUM SPEED</b>	Up To 375 (Free Air)
	<b>LOW SPEED</b>	Up to 300 (Free Air)

## Wiring

**CONNECTION** Handy box supplied for wiring



**MAN-D-TEC, INC.**

8175 E. PARADISE LANE  
SCOTTSDALE, AZ 85260

**P.** 480.998.0325

**F.** 480.998.0318

1.800.944.6263

[WWW.MANDTEC.COM](http://WWW.MANDTEC.COM)