



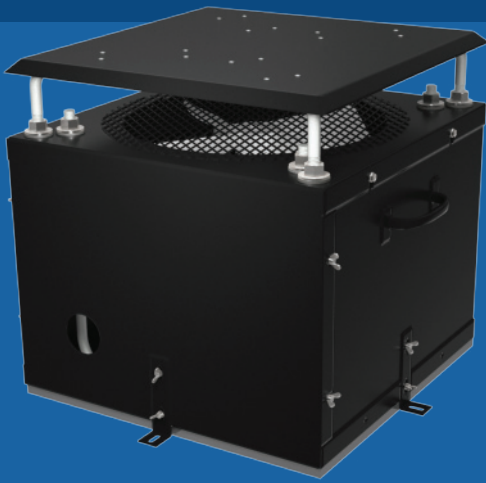
MVSHAZLOC

REVISION: A

EFFECTIVE: 9/2013

MVS[®]-HAZLOC

VENTILATION FOR HAZARDOUS LOCATIONS



**PATENTS
PENDING**



VENTILATION / FANS



ELEVATOR CONTROL,
ELEVATOR ACCESSORY
E365706

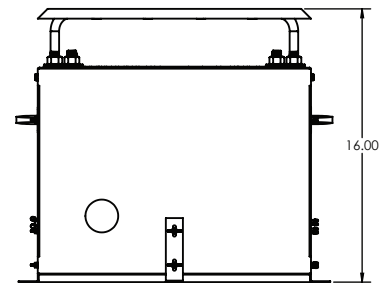
***Tested to NEMA Type 4 requirements
(NEMA 250-2008)
by an independent testing laboratory**

MVS[®]-HAZLOC[™]

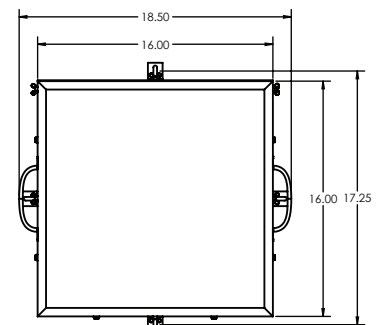
MVS-HAZLOC by Man-D-Tec

THE FIRST UL LISTED FAN FOR ELEVATORS IN HAZARDOUS LOCATIONS.

This complete fan assembly is UL listed, and is a hazardous location direct drive exhaust fan designed for use in Class I, Division 1, Group C & D, and Class II, Division 1, Group E, F, & G locations. The unit is single speed and capable of providing up to 925 CFM. The MVS-HAZLOC uses a spark resistant cast aluminum fan blade, and a rugged, low profile enclosure with durable powder coat finish. The service panel is removable for ease of wiring and maintenance. Convenient carry handles on the enclosure make installation a breeze.



SIDE VIEW



TOP VIEW

FOR OPTIONS SEE
ACCESSORIES



ELEVATOR CONTROL,
ELEVATOR ACCESSORY
E365706

1.800.944.6263

WWW.MANDTEC.COM

Enclosure (MVS-HAZLOC)

MATERIAL	16 GA Steel	
DIMENSIONS	18.50"L x 17.25"W x 16.00"H 12.00" Dia	Overall Dimensions Cutout Hole
<i>Uses fan grille part number FG-14-W (see Accessories section)</i>		
MOUNTING	4 adjustable mounting brackets and hardware included	
FINISH	Black	Powder Coat

CERTIFICATION(S)



UL LISTED (ENTIRE UNIT is UL listed, NOT just components!!!)
CERTIFIED FOR USE IN: Class I, Division 1, Groups C & D; Class II, Division 1, Groups E, F, and G; HAZARDOUS LOCATIONS.
UL TESTED to the following standards:
ASME A17.5, UL 508, UL 674, CSA B44.1-11, CSA C22.2 NO.14-13, C22.2 NO. 145-M1986

Scan QR code to see features of our patent pending design!



SERVICEABILITY

The unit is designed with mounted carrying handles for ease of installation. As shown in the photo, the front cover is removable with wing nuts for easy installation. Additionally, the enclosure top has screws that can be loosened to allow the entire frame with motor assembly to be removed for future servicing or motor replacement.

Motor

MOTOR SPEED	One speed
RATINGS	Input: 115 VAC, 60 Hz, 5.4 A, explosion-proof motor

Blade

MATERIAL	Anti-static, cast aluminum blade for hazardous locations
CFM	Up To 925 (Free Air)

Wiring

CONNECTION	Explosion-proof handy box supplied for wiring
-------------------	---



MAN-D-TEC, INC.

8175 E. PARADISE LANE
SCOTTSDALE, AZ 85260

P. 480.998.0325
F. 480.998.0318

1.800.944.6263

WWW.MANDTEC.COM