



MEGABEAM

REVISION: C

EFFECTIVE: 4/2015

MEGABEAM[®]

LED DOWNLIGHT FIXTURES FOR ELEVATORS



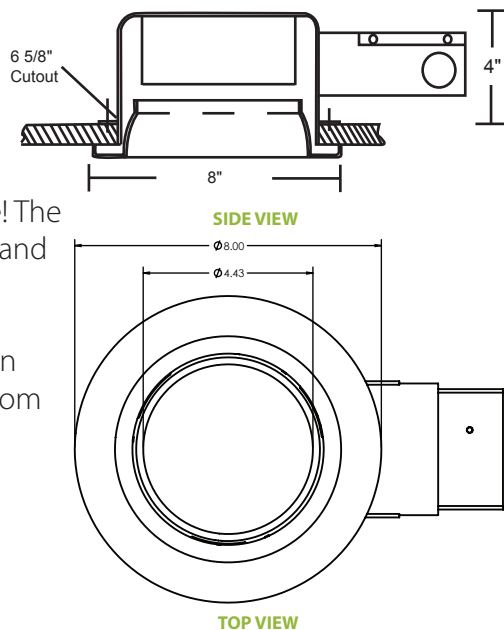
MEGA BEAM[®]

MEGABEAM by Man-D-Tec[®]

HIGH INTENSITY LED LIGHTING FOR ELEVATORS.

Warm white 12 watt LED output that produces 707 lumens per fixture! The high output enables use of fewer fixtures. High color rendering index and wide beam angle make for superior lighting throughout the cab, showcasing walls and floors. The MegaBeam is an excellent choice for freight and service cabs (or cabs with tall / large ceilings), and has been designed with the end-user in mind. The LED module is replaceable from inside the cab.

Product Specifications on the back of page.



FOR OPTIONS SEE
ACCESSORIES

FOR LIGHT CONFIGURATIONS SEE
LIGHTING MATRIX



44BD
ELEVATOR CONTROL,
ELEVATOR ACCESSORY
E329545



1.800.944.6263

WWW.MANDTEC.COM

MEGABEAM

REVISION: C

EFFECTIVE: 4/2015

MEGABEAM®
SPECIFICATIONSFixture
(MegaBeam)**TRIM MATERIAL** One-piece aluminum

DIMENSIONS	4.00"	Mounted Height (on wood ceilings)
	6.63"	Cutout Hole
	8.00"	Overall Diameter

Uses Same Hole Cutout Size as Our Flolite® Fixtures.



44BD
ELEVATOR CONTROL,
ELEVATOR ACCESSORY
E329545

MOUNTING Integrated tabs mount with four (4) screws

FINISHES	Black	Powder Coat STANDARD
	Brushed	#4 Silver Brushed Finish (Option)
	Polished	High Luster #8 Mirror Finish (Option)
	White	Powder Coat (Option)
	Gold	Powder Coat (Option)

OUTPUT	707 Lumens	Warm White (Approx 2,954k)
	<i>As per LM-79 report by an iAS Accredited Laboratory</i>	



LED	Wattage	12 Watts of LEDs Per Fixture
	Reflector	Flood Beam

LUMINOUS EFFICACY	48.7	Lumens Per Watt
--------------------------	-------------	-----------------

TO REPLACE LED MODULE

Grasp the reflector trim with both hands and start rotating the trim as you start to pull down on it. Once the trim is removed, the module can be removed by removing the two wing nuts that hold it in place. As you remove the wing nuts, hold onto the module to keep it from falling out. Once the module is removed, unplug it from the power supply. Plug in the new module and reinsert the module with the wing nuts. Once the module has been replaced, reinsert the trim by pushing straight up into the lamp housing.

NOTE: THIS PRODUCT IS NOT DIMMABLE.

Housing

PRIMARY INPUT	115VAC
----------------------	---------------



44BD
ELEVATOR CONTROL,
ELEVATOR ACCESSORY
E329545

MATERIAL	One-piece aluminum with integrated handy box
-----------------	---

WIRING	Pigtail wires ready for wiring in pre-mounted handy box
---------------	--

Emergency
(Optional)**ELS-500°LED**

Powers (2) two MegaBeam fixtures during a normal power failure.



44BD
ELEVATOR CONTROL,
ELEVATOR ACCESSORY
E329545

EXCEEDS A17.3 4-HOUR RUNTIME CODE REQUIREMENT FOR EMERGENCY LIGHTING.

**MAN-D-TEC, INC.**

8175 E. PARADISE LANE
SCOTTSDALE, AZ 85260

P. 480.998.0325
F. 480.998.0318

1.800.944.6263

WWW.MANDTEC.COM