



MINILITE®  
REVISION: F  
EFFECTIVE: 9/2013

# MINILITE® M-DL™

INCANDESCENT DOWNLIGHT FOR ELEVATORS



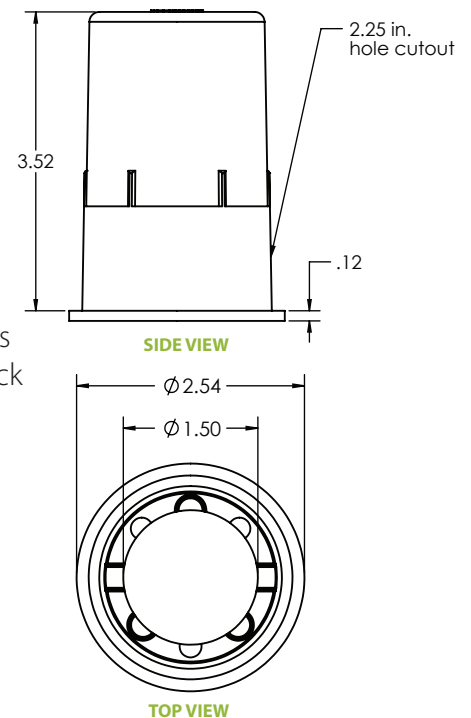
**PATENTED  
PRODUCT**

## MINILITE M-DL by Man-D-Tec®

**PATENTED, HIGH PERFORMANCE DOWNLIGHTING SYSTEM,  
DESIGNED SPECIFICALLY FOR ELEVATOR APPLICATIONS.**

The incandescent Minilite system from Man-D-Tec allows multiple fixtures to be used for creating a unique lighting effect. The design allows for quick installation while providing a highly vandal-resistant solution. Fixtures include 20-watt incandescent lamps. Systems include a dimmer control and prewired harnesses for easy installation.

*Product Specifications on the back of page.*



FOR OPTIONS SEE  
**ACCESSORIES**



1.800.944.6263  
[WWW.MANDTEC.COM](http://WWW.MANDTEC.COM)

**MINILITE®**


REVISION: F

EFFECTIVE: 9/2013


# MINILITE® M-DL™

SPECIFICATIONS

## Fixture (Minilite M-DL)

<b>MATERIAL</b>	Aluminum Die Casting		
<b>DIMENSIONS</b>	<b>3.52"</b> <b>2.25"</b> <b>2.54"</b>	Overall Height Cutout Hole Overall Diameter	
<b>MOUNTING</b>	Retainer Clamp w/ "L" Bracket to Prevent Fixture Rotation		
<b>FINISHES</b>	<b>Black</b> <b>Brushed</b> <b>Polished</b> <b>White</b> <b>Gold</b>	Powder Coat <b>STANDARD</b> #4 Silver Brushed Finish (Option) High Luster #8 Mirror Finish (Option) Powder Coat (Option) Powder Coat (Option)	
<b>SOCKET</b>	Single contact bayonet base		
<b>BULB</b>	<b>Wattage</b> <b>Reflector</b> <b>Base</b>	20 Watt protective coated incandescent (Part #E-20™) Reflectorized glass Single contact, bayonet base	

## Power Supply

<b>MATERIAL</b>	.060 Aluminum	
<b>DIMMER</b>	<b>INCLUDED</b>	
<b>VOLTAGE</b>	<b>Input:</b> 115 VAC (220VAC Also Available) <b>Output:</b> 12VAC	
<b>DIMENSIONS</b>	12"L x 7"W x 4"H	

## Wiring

<b>SECONDARY (OUTPUT)</b>	Pre-harnessed with quick connects at power supply and at each fixture
---------------------------	---

## Emergency (Optional)

**ELS®-400**  
 Powers (2) two Minilite M-DL fixtures to meet ANSI 17.1 & ASME 17.3-2008 Elevator Code.

**EXCEEDS A17.3 4-HOUR RUNTIME CODE REQUIREMENT FOR EMERGENCY LIGHTING.**



**MAN-D-TEC, INC.**

8175 E. PARADISE LANE  
 SCOTTSDALE, AZ 85260

**P.** 480.998.0325  
**F.** 480.998.0318

1.800.944.6263

WWW.MANDTEC.COM