



LINELITE®

REVISION: G

EFFECTIVE: 1/2014

LINELITE®

115V LINE VOLTAGE DOWNLIGHT



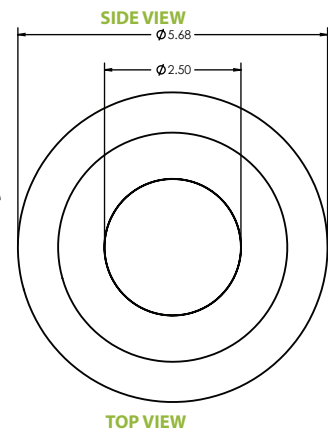
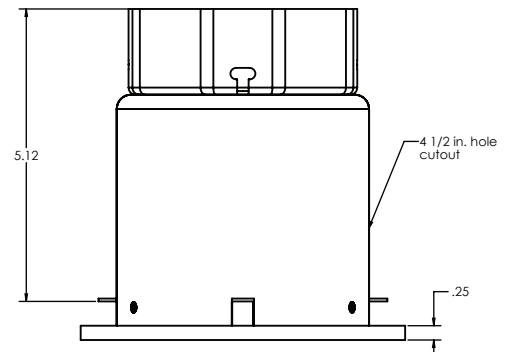
Note: Photo shown with contrasting colors to show #PL Protective Louver. Black trim is standard. #4 Silver Brushed finish optional.

LINELITE by Man-D-Tec®

**LOW COST INCANDESCENT LIGHTING FIXTURE,
DESIGNED SPECIFICALLY FOR ELEVATOR APPLICATIONS.**

These 115V fixtures are a low cost alternative to other 115V fixtures. For use with coated reflector lamps up to 50 watts, these fixtures are designed exclusively for elevators. The fixture has a low height profile of 5.25" and comes with a pre-mounted handy box for easy wiring installation. The spring clips in the trim piece allow for fast installation. Available in multiple trim finish colors.

Product Specifications on the back of page.



1.800.944.6263

WWW.MANDTEC.COM

LINELITE®

REVISION: G

EFFECTIVE: 1/2014

LINELITE®

SPECIFICATIONS

Fixture (LINELITE)



MATERIAL (TRIM) One-piece aluminum

DIMENSIONS

5.25"	Overall Height (on wood ceilings)
4.50"	Cutout Hole
5.75"	Overall Diameter

FINISHES

Black	Powder Coat STANDARD
Brushed	#4 Silver Brushed Finish (Option)
Polished	High Luster #8 Mirror Finish (Option)
White	Powder Coat (Option)
Gold	Powder Coat (Option)

SOCKET Ceramic (medium screw base) with leads

BULB CHOICE Part# E-830 (30R20) 30W, 120V extended life w/ protective coating (option)
Part# E-810 (50R20) 50W, 120V extended life w/ protective coating (option)

Outer Housing

MATERIAL One-piece aluminum

MOUNTING Integrated tabs mount with (3) three screws or studs (not included)

Wiring

VOLTAGE Input: 115 VAC

Pigtail wires ready for wiring in pre-mounted, integrated handy box

Emergency (Optional)

ELS-500®
Powers (2) two Linelite fixtures to meet ANSI 17.1 & ASME 17.3-2008 Elevator Code.

EXCEEDS A17.3 ELEVATOR 4-HOUR RUNTIME CODE REQUIREMENT FOR EMERGENCY LIGHTING.



MAN-D-TEC, INC.

8175 E. PARADISE LANE
SCOTTSDALE, AZ 85260

P. 480.998.0325
F. 480.998.0318

1.800.944.6263

WWW.MANDTEC.COM